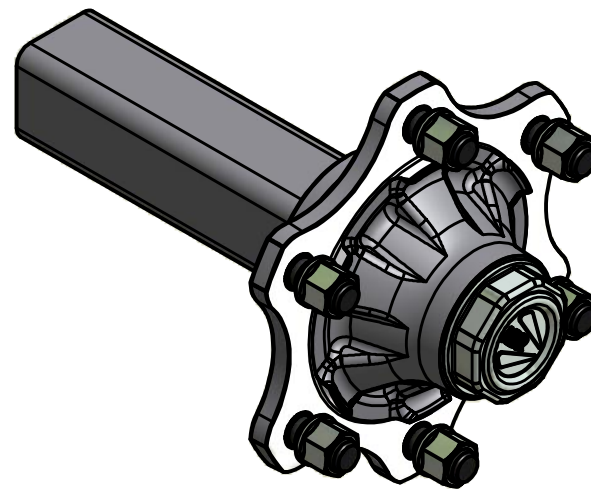


**PER APPROVAZIONE  
FOR APPROVAL**

RIF.N°  
QUOT0483-STUBAXLE-04

DATA 26.02.16 FIRMA TIM



AXLE TYPE: KR		BODY AXLES: SOLID BEAM S060	
OVERHANG: -		WHEEL: Rmax 600mm	
60	1500	1850	1375
40	1750	2050	1500
25	2000	2400	1750
km/h			
PORTATA - CAPACITY kg.			

COAT		NERO RAL9005 PRIMER BLACK RAL9005 PRIMER			
LENGHT WITHOUT TOLLERANCE		MATERIAL - HARDNESS		REF.	SCALE
±2					1:2
DIAMETER WITHOUT TOLLERANCE		DRAWN	APPROVED	REPLACE	DATE:
		DATE	26.02.16	26.02.16	NAME:
RADIUS WITHOUT DIMENSIONS		NAME	TIM	DEREK	REPLACED BY DATE:
OWNER		Ra [ .m]	WEIGHT [kg]		
J			14.5		
		SEMIASSE SENZA FRENO PERIFERIA KR UNBRAKED STUBAXLE PERIFERIA KR			
DWG. N.°		QUOT0483-STUBAXLE-04		SHEET	R.No.
				A/A	00