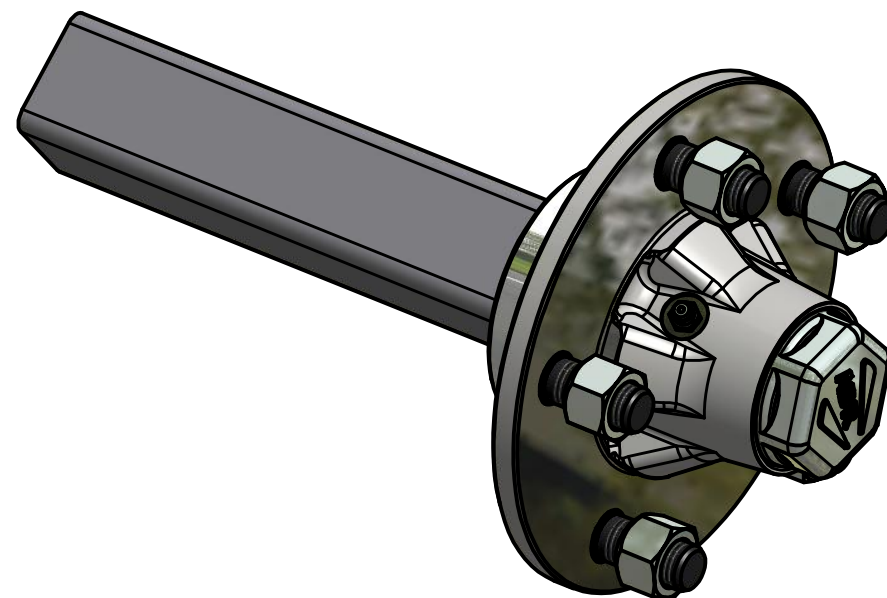


PER APPROVAZIONE
FOR APPROVAL

RIF.N°
QUOT0483-STUBAXLE-02

DATA 26.02.16 FIRMA TIM



AXLE TYPE: GR		BODY AXLES: SOLID BEAM S045	
OVERHANG: -		WHEEL: -	
60	800	875	725
40	875	975	800
25	950	1100	850
km/h			
PORTATA - CAPACITY kg.			

COAT					
LENGHT WITHOUT TOLLERANCE ±2	MATERIAL - HARDNESS			REF.	SCALE 1:1.5
DIAMETER WITHOUT TOLLERANCE	DRAWN	APPROVED	REPLACE	DATE:	NAME:
RADIUS WITHOUT DIMENSIONS	DATE	26.02.16	26.02.16	REPLACED BY	DATE:
OWNER	Ra [μm]	WEIGHT [kg]	SEMIASSE SENZA FRENO PERIFERIA GR UNBRAKED STUBAXLE PERIFERIA GR		
J		7.9	NAME	TIM	DEREK
		DWG. N° QUOT0483-STUBAXLE-02			
		SHEET	A/A	R.No.	00