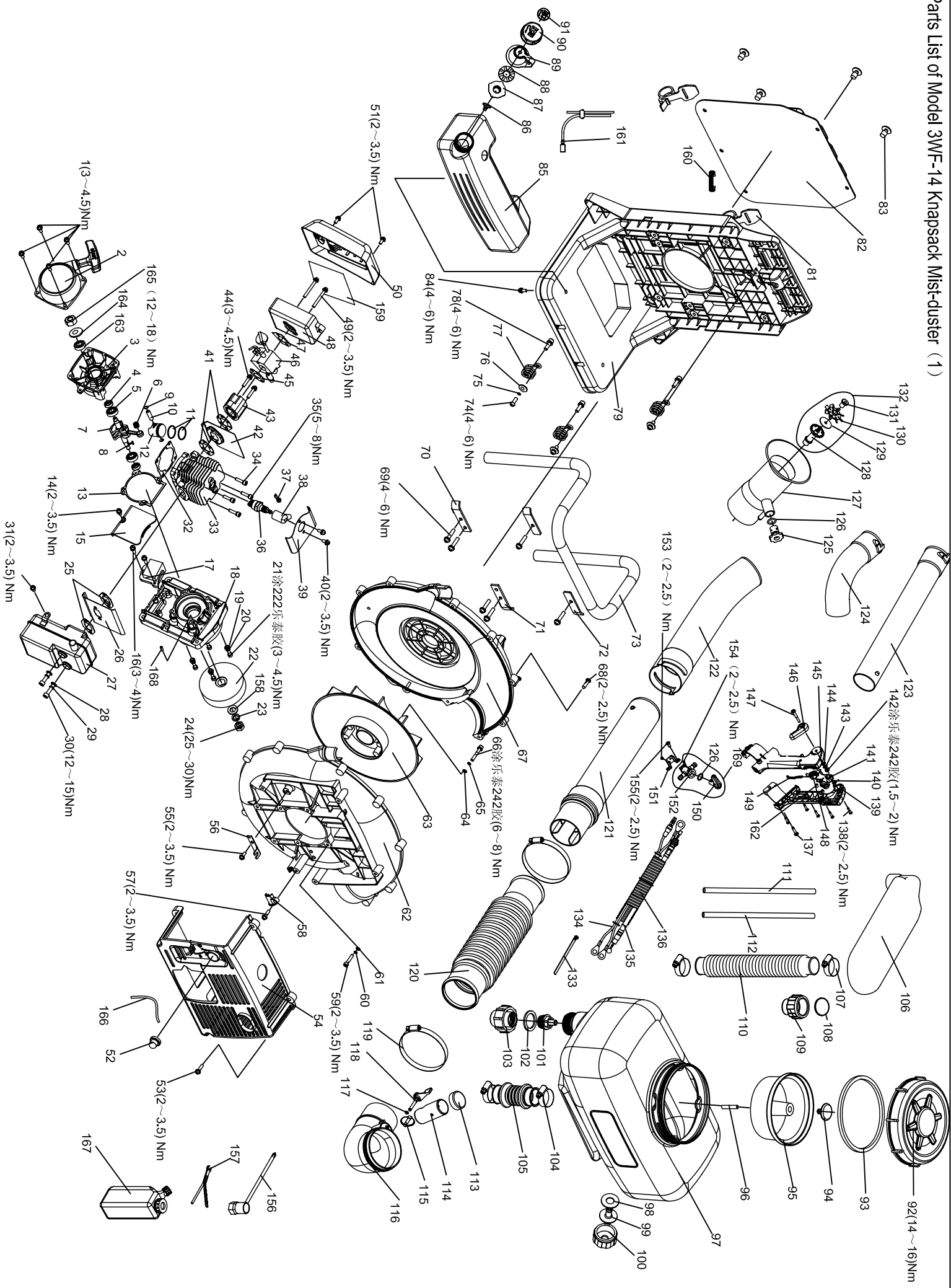


# The Parts List of Model 3WF-14 Knapsack Mist-duster (1)



					Serial No.	Part No.	Part Name	Qty	
GB/T70.1 M5×25	screw	CG420.1.3.1-2	mat	1	GB/T 896	loop 3	1	3WF-14.5.1-10	handgrip
GB/T859	washer 5	1E32FL.6.2-4	chain	1	3WF-16.3.1-2	switch	1	3WF-14.5.1-9	bolt
GB/T97.1	washer 5	1E32FL.6.2-1	lid	2	GB/T 8870	hoopø59-ø82	2	3WF-14.5.1-5	switch
3WF-14.2.2	volute case	1E32FL.6.2-3	clip	1	ZB4-5-02	tube	1	3WF-14.5.1-4	patch
3F-30.15.3	impeller	3WF-8.1-2A	lid	1	3WF-2.6.4.1	tube	1	3WF-3.19.1-1	core
GB/T97.1	washer 5	3WF-8.1-1	sealing washer	1	3WF-2.6.4.2	tube	1	3WF-14.5.1-2-1	seat
GB/T 859	washer 5	3WF-14.3-1	air valve	1	3WF-2.6.4.4	tube	1	3WF-3.19.1-2	shell
GB/T70.1	nutm5X35	3WF-14.3-3	filter	124	3WF-2.6.4-3	tube	1	GB/T 845	bolIST4.2X9.5
GB/T 845	back case	GB/T3527.1.8x1.5x500	tube	1	3WF-3.19.3-3	valve	1	GB/T828	bolt M3X5X2.5
nUTST4.8X22	screw assen	3WF-14.3-2	chemical tank	1	GB1235 16×2.4	sealing washer	1	GB/T845	bolIST4.8*13
69 GB/T907.4 M6×30	screw assen	3WF-3A.1-2	sealing washer	1	3WF-2.6.4.3-1	nozzle	1	3WZ-4.15.1	spanner
70 3WF-14-10	board	3WF-3A.1-1	link pipe	1	3WF-2.6.4.3.1.1	nozzle	1	3WF-3.25.4	chain
3WF-14-1-11	board	3WF-3A.1-3	connector lid	1	3WF-2.6.4.3.1-1	washer	1	GB/T97.1	washer 10
3WF-14-9	board	3WF-16.4-2	connector	1	3WF-2.6.4.3.1-3	rotation impeller	1	1E44FP.6-2	core
3WF-14.1-1	flange	3W-16.4-3	sealing washer	1	3WF-2.6.4.3.1-2	seat	1	EB-650-10	axis
GB/T907.4 M5×25	screw assen	3W-16.4-1	connector lid	1	3WF-2.6.4.3.1	nozzle	1	3WF-14.4.1	vitta
EB-415-6	mat	JB/T8870	hoopø25-ø40	1	BG415-1B	line	1	1E40FP-3Z-19	starter cup
3WF-14.1.1	carburetor	3WF-14-4	tube	1	3WF-14.5.1.1.2	line	1	1E40FP-3Z-19	washer 10
3WF-14.1-5	mat	3WF-16.2-1	tube	1	3WF-14.5.1.1.1	line	1	1E40FP-3Z-16nutM10X1.6H	1
3WF-14.1.4.1	inside cover	3WF-16.2-2	tube	1	3WF-14.5.1.1-1	tube	1	1E40FP-3Z-16nutM10X1.6H	1
GB/T907.4 M5×55	screw assen	JB/T8870	hoopø25-ø40	1	3WF-14.5.1.1-1	tube	1	1E40FP-3Z-16nutM10X1.6H	1
3WF-14.1.4-1	outside cover	3WF-950.2.1-2	loop	1	GB/T 845	boltST5.5*25	1	166 EB-415.4.2-4	OIL PIPE
GB/T907.4 M5×12	screw assen	3WF-950.2.1-1	connector lid	1	GB/T 845	boltST4.2*19	1	167 ZB4-10.1	OIL bottle
YD-40.6.10-3	oil cup	3WF-16.2-3	tube	1	3WF-14.5.1-2	handgrip	1	168 GB119 B4×10	pin
GB/T907.4 M5×20	screw assen	3WF-16.2-3	tube	1	3WF-14.5.1-7	spring	1	169 3WF-3.19.1	valve
3WF-14-6	protection	GB/T3527.1.10×1.5×830	tube	1	3WF-14.5.1-3	handgrip	1		
3WF-14-6	protection	GB/T3527.1.10×1.5×880	tube	1	3WF-14.5.1-3	handgrip	1		
GB/T907.4 M5×14	screw assen	3WF-16.3-1	plug	1	GB/T6172.2	nut M6	1		
3WF-14-8	bracket	3WF-950.1.1-1	tube	1	3WF-14.5.1-8	washer	1		
GB/T907.4 M5×20	screw assen	3WF-16.3.1-3	board	144	GB/T955	washer	1		
3WF-14-5	pipe	3WF-950.1.1-2	elbow	1	3WF-14.5.1-1	handgrip	1		